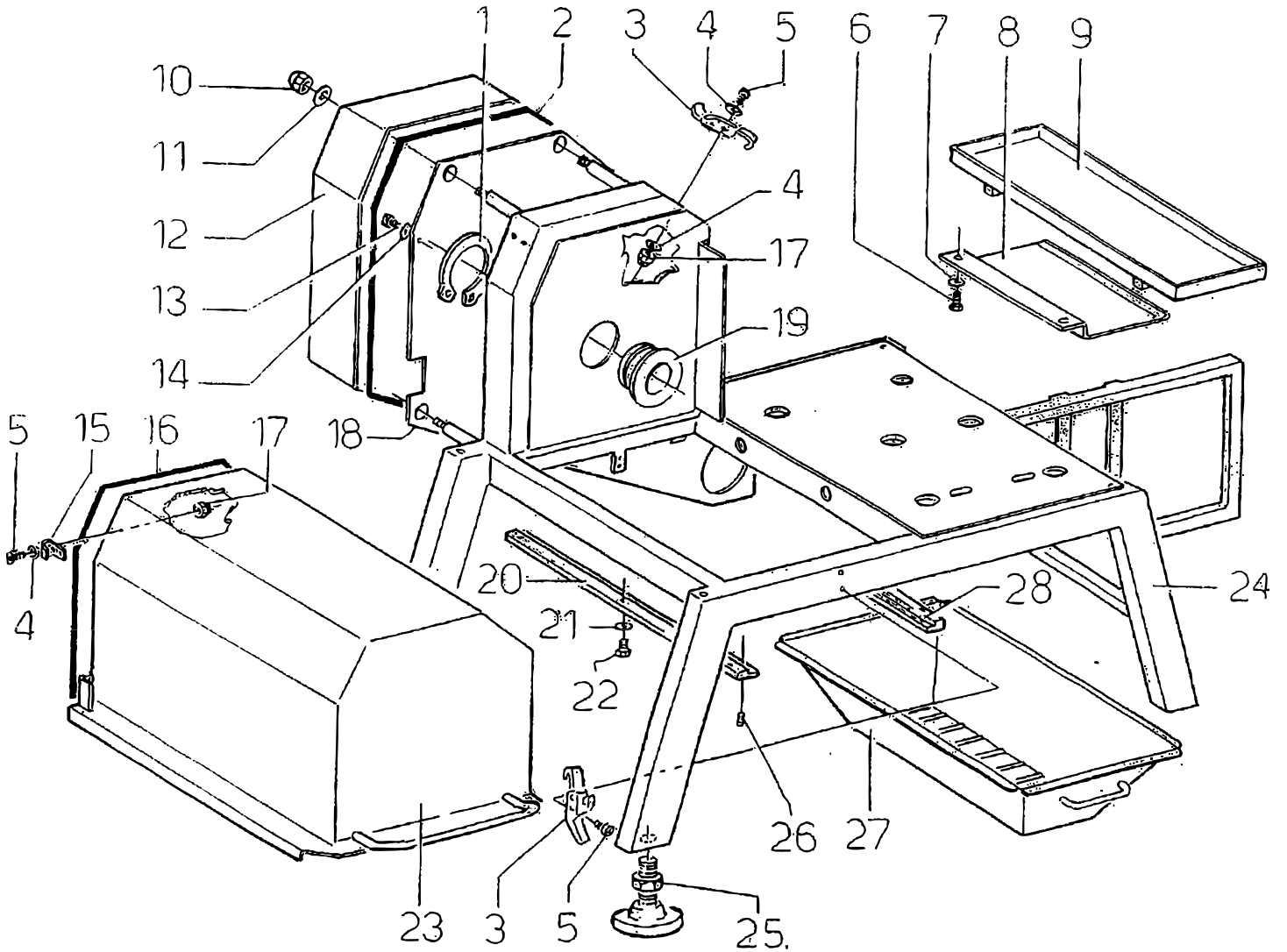


Parts Breakdown

Model GR-IT-0300-CR800 47930

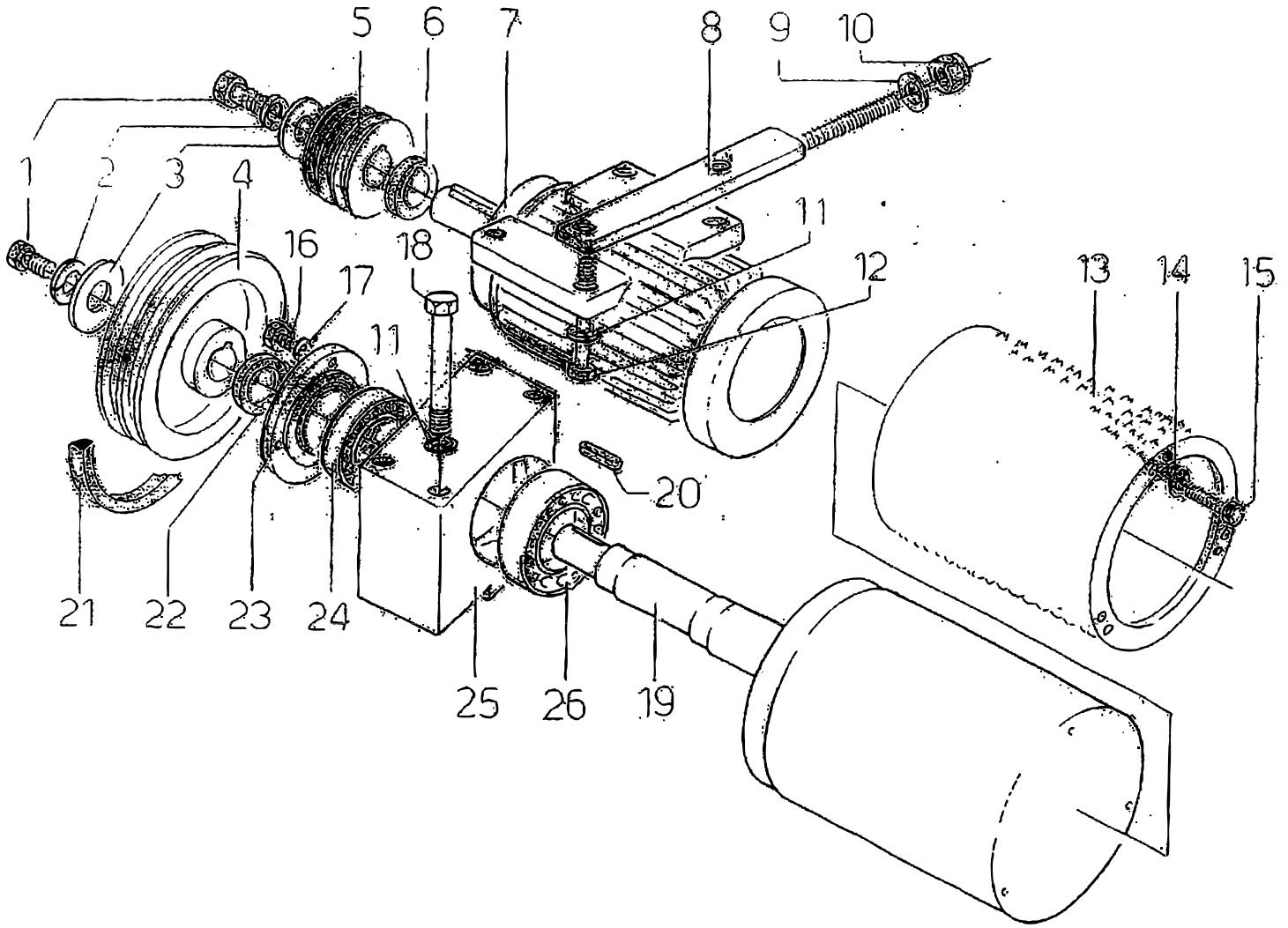
Base Unit



Parts Breakdown

Model GR-IT-0300-CR800 47930

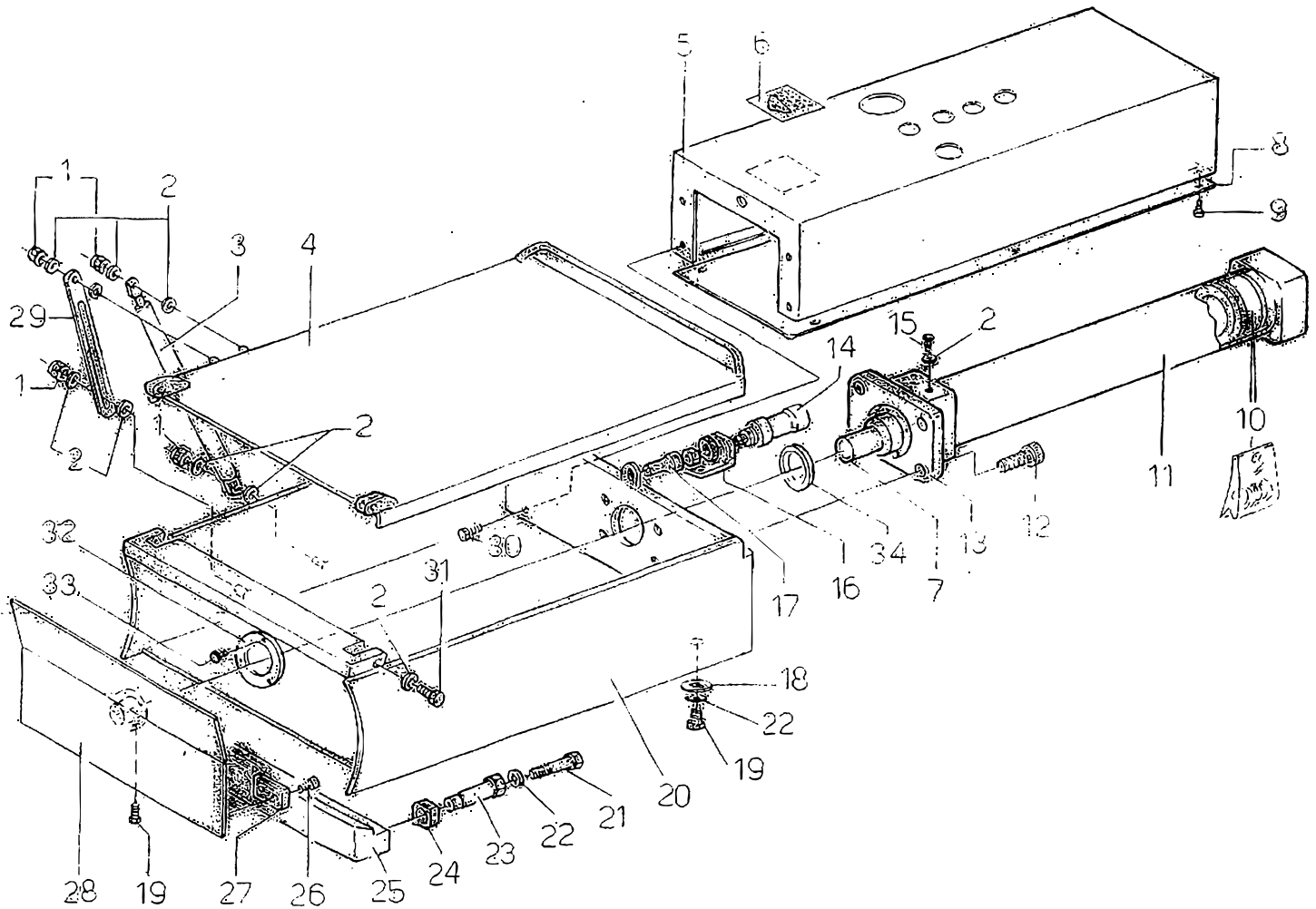
Drum and Drum Driving Unit



Parts Breakdown

Model GR-IT-0300-CR800 47930

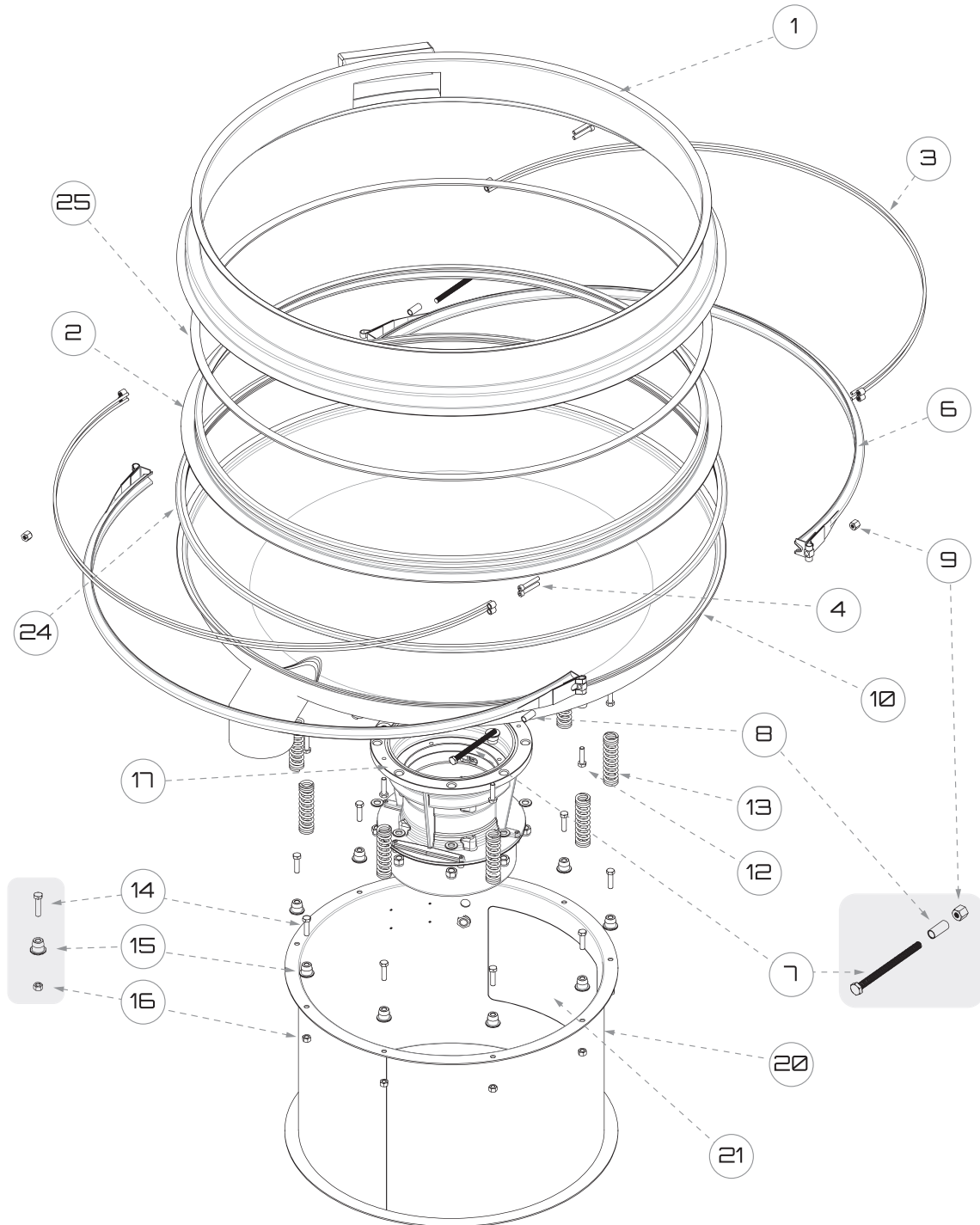
Loading Hopper Unit



Parts Breakdown

Model GR-IT-0300-CR800 47930

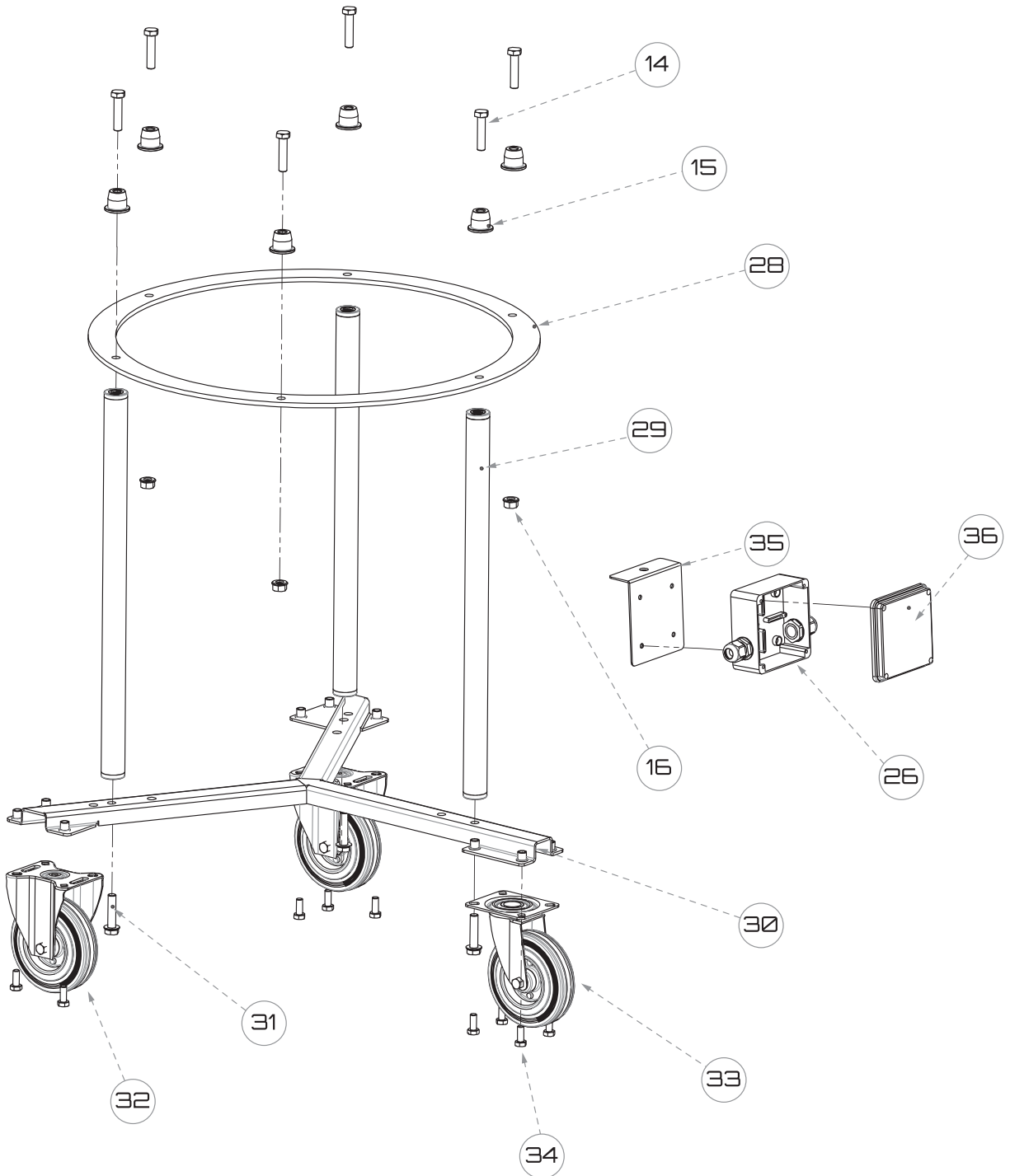
Vibrating Unit



Parts Breakdown

Model GR-IT-0300-CR800 47930

Vibrating Unit Trolley



Parts Breakdown

Model GR-IT-0300-CR800 47930

Base Unit

Item No.	Description	Position	Item No.	Description	Position	Item No.	Description	Position
AJ817	Retaining Ring for Shaft D.90 for 47930	1	AJ706	Blind Nut M10 for 47930	10	AJ827	Wall Ring for 47930	19
AJ818	Gasket for 47930	2	AJ822	Flat Washer D.10 for 47930	11	AJ828	Rail for 47930	20, 28
AJ819	Protex Fastener for 47930	3	AJ823	Cover for 47930	12	AJ829	Elastic Washer A 8.4 for 47930	21
AJ715	Flat Washer D.4.3 for 47930	4	AJ709	Cheese-Headed Socket Head Screw M5x16 for 47930	13	AJ721	Hex. Head Screw M8x20 for 47930	22
AJ716	Cross Head Screw M4x10 for 47930	5	AJ824	Flat Washer D.5 for 47930	14	AJ830	Casing for 47930	23
AJ732	Hex. Head Screw M6x10 for 47930	6	AJ713	Protex Stop for 47930	15	AJ831	Base Unit for 47930	24
AJ722	Elastic Washer A 6.4 for 47930	7	AJ825	Gasket for 47930	16	AJ832	Anti-Slip Articulated Foot for 47930	25
AJ820	Tank Support for 47930	8	AJ736	Self-Locking Nut M4 for 47930	17	AJ833	Hex. Sock. Headless Screw M8x16 for 47930	26
AJ821	Collecting Tank for 47930	9	AJ826	Cover for 47930	18	AJ834	Discharging Hopper for 47930	27

Drum and Drum Driving Unit

Item No.	Description	Position	Item No.	Description	Position	Item No.	Description	Position
AJ835	Hex. Head Screw M10x30 for 47930	1	AJ843	Self-Locking Nut M10 for 47930	10	AJ851	Drum for 47930	19
AJ802	Elastic Washer A 10.5 for 47930	2	AJ844	Elastic Washer A 13 for 47930	11	AJ852	Tab A 12x8x50 for 47930	20
AJ836	Washer for 47930	3	AJ845	Hex. Head Screw M12x70 for 47930	12	AJ853	Spacer for 47930	22
AJ837	Pulley for 47930	4	AJ846	Grating Belt for 47930	13	AJ854	Cover for 47930	23
AJ838	Pulley for 47930	5	AJ829	Elastic Washer A 8.4 for 47930	14	AJ855	Bearing 110x60x28 for 47930	24
AJ839	Spacer for 47930	6	AJ847	Hex. Head Screw M8x30 for 47930	15	AJ856	Support for 47930	25
AJ840	Self-Braking Motor Sew HP 5.5 kW for 47930	7	AJ848	Hex. Head Screw M6x16 for 47930	16	AJ857	Bearing 125x70x31 for 47930	26
AJ841	Tie Rod for 47930	8	AJ849	Elastic Washer A 6.4 for 47930	17			
AJ842	Flat Washer D.10 for 47930	9	AJ850	Hex. Head Screw M12x210 for 47930	18			

Parts Breakdown

Model GR-IT-0300-CR800 47930

Loading Hopper Unit

Item No.	Description	Position	Item No.	Description	Position	Item No.	Description	Position
AJ781	Self-Locking Nut M8 for 47930	1	AJ864	Flange for Stem D.25 for 47930	13	AJ804	Slide for 47930	24
AJ782	Flat Washer D.8.4 for 47930	2	AJ794	ISO 6432 Metalwork Cylinder D.25-C-50 for 47930	14	AJ806	Blade for 47930	25
AJ783	Gas Spring Inox 400N C.100 for 47930	3	AJ743	Cheese-Headed Socket Head Screw M6x20 for 47930	15	AJ868	Hex. Head Screw M6x40 for 47930	26
AJ858	Cover for 47930	4, 8	AJ865	Cylinder Fastening for 47930	16	AJ808	Slide for 47930	27
AJ859	Cylinder Cover for 47930	5	AJ796	Pin for 47930	17	AJ869	Pressure Plate for 47930	28
AJ787	Pictogram for 47930	6	AJ797	Washer for 47930	18	AJ811	Hopper Lid Stop for 47930	29
AJ860	Cylinder Stem for 47930	7	AJ798	Hex. Head Screw M10x20 for 47930	19	AJ812	Hex. Head Screw M8x30 for 47930	30
AJ716	Cross Head Screw M4x10 for 47930	9	AJ866	Hopper for 47930	20	AJ813	Hex. Head Screw M8x50 for 47930	31
AJ861	Cylinder Seal Kit D.80-25 for 47930	10	AJ801	Hex. Head Screw M10x100 for 47930	21	AJ870	Gasket Seal for 47930	32
AJ862	Metalwork Cylinder CMW1-080500.A for 47930	11	AJ867	EL. Washer A 10.5 for 47930	22	AJ815	Flat Head Countersunk Socket Cap Screw M4x10 for 47930	33
AJ863	Cheese-Headed Socket Head Screw M12x30 for 47930	12	AJ803	Eccentric Pin for 47930	23	AJ871	Stem Scraper Gasket for 47930	34

Vibrating Unit

Item No.	Description	Position	Item No.	Description	Position	Item No.	Description	Position
AJ887	Retaining Band for 47930	1	AJ892	Tightening Clamp for 47930	7 - 9	AJ897	Vibrator Motor for 47930	17
AJ888	Double Groove Screen Holder Frame for 47930	2	AJ893	Base Disk for 47930	10	AJ898	Trolley for 47930	20
AJ889	Screen Tensioning Rings for 47930	3	AJ894	Hex Head Bolts M10x40 for 47930	12	AJ899	Bedplate Hatch for 47930	21
AJ890	Full Thread Hex Head Screw M8x50 for 47930	4	AJ895	Spring for 47930	13	AJ900	"A" Shape Gasket for 47930	24
AJ891	Locking Ring for 47930	6	AJ896	Complete Lower Spring Guide for 47930	14 - 16	AJ901	Adhesive Flat Gasket for 47930	25

Vibrating Unit Trolley

Item No.	Description	Position	Item No.	Description	Position	Item No.	Description	Position
AJ902	Hex Head Bolts M10x40 for 47930	14, 31	AJ906	Base Ring for 47930	28	AJ910	Castor Wheel Ø125/180 for 47930	33
AJ903	Spring Guide for 47930	15	AJ907	Column	29	AJ911	Hex Head Bolts M8x25 for 47930	34
AJ904	Nut M10 for 47930	16	AJ908	"Y" Shape Cross-Piece for 47930	30	AJ912	Plate for Junction Box for 47930	35
AJ905	Junction Box Contacts with Cable Glands for 47930	26	AJ909	Fixed Wheel Ø125/180 for 47930	32	AJ913	Lid for Junction Box for 47930	36